

WOOFER

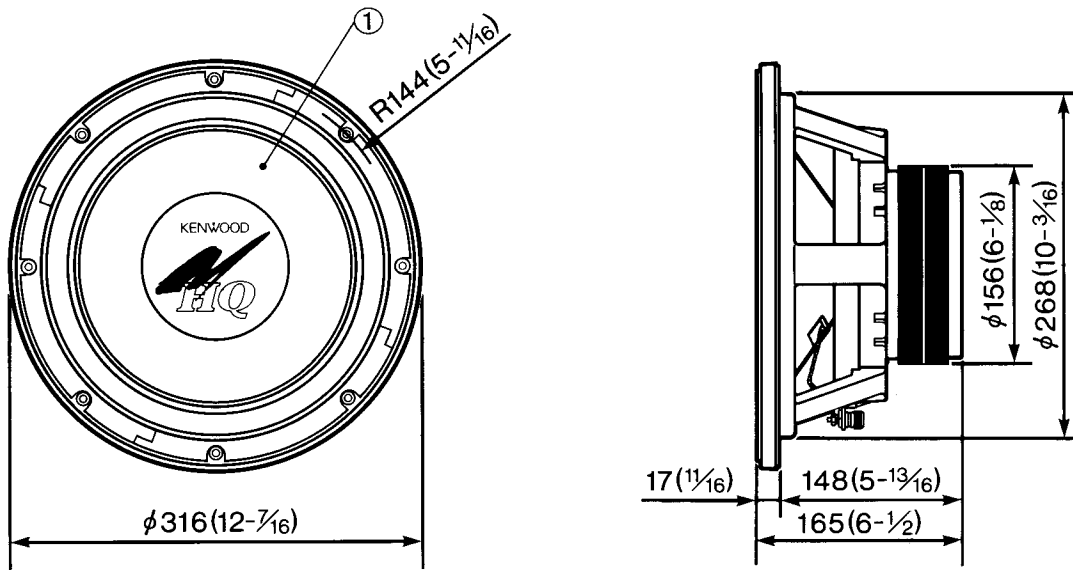
KFC-HQW300

SERVICE MANUAL


KENWOOD

© 1993-10 PRINTED IN JAPAN
B51-6663-00(B) 1722

DIMENSIONS



PARTS INCLUDED

- ②  $\phi 5 \times 40 (3/16 \times 1-9/16) \dots \dots \times 8$

SPECIFICATIONS

Speaker _____ 300 mm (12 in) Non-Press
Pulp Cone Type
2.6 kg (91.8 oz) Magnet

RMS _____ 300 Watts

Sensitivity _____ 91 dB/W at 1m

Frequency Response _____ 18 Hz ~ 2,000 Hz

Impedance _____ 4 Ohms

Net Weight _____ 8.8 kg (19.4 lb)/Pc.

PARTS LIST

* New parts

Ref.No.	New Parts	Parts No.	Parts Name
①	*	T10-0614-08	SPEAKER
②	*	N99-1254-08	SCREW SET